

Door Ref.	Structural Opening	Wall Thickness		Leaf Type	Leaf Size	Reference
PLOT 1						
1-DG1	1010 x 2650mm	360 #	UPVc doorset with fanlight		1000(approx) 1981 x 58mm	
1-DG2	Existing	160	Howdens Dordogne Oak FD30		838 x 1981 x 44mm	DIF4.170
1-DG3	920x2040mm	100	Howdens Dordogne Oak FD30		838 x 1981 x 44mm	DIF4.170
1-DG4	920x2040mm	160	Howdens Dordogne Oak FD30		838 x 1981 x 44mm	DIF4.170
1-DG5	965 x 2600 #	360 #	UPVc doorset with fanlight		900(approx) 1981 x 58mm	
1-DG6	920x2040mm	150	Howdens Dordogne Oak FD30		838 x 1981 x 44mm	DIF4.170
1-DG7	2880x2325mm	350	UPVc french doorset with sidelights	To suit structural opening		
1-DG8	840x2040mm	100	Howdens Dordogne Oak		762 x 1981 x 35mm	DIE4.660
1-DF1	Existing	270	Howdens Dordogne Oak FD30		838 x 1981 x 44mm	DIF4.170
1-DF2	1000x2040mm	125	Howdens Dordogne Oak		2no 457 x 1981 x 35mm	DIE4.610
1-DF3	840x2040mm	125	Howdens Dordogne Oak		762 x 1981 x 35mm	DIE4.660
1-DF4	760x2040mm (max)	100	Purposse made door to match Howdens Dordogne Oak	To suit		
1-DF5	920x2040mm	125	Howdens Dordogne Oak FD30		838 x 1981 x 44mm	DIF4.170
1-DF6	840x2040mm	160	Howdens Dordogne Oak		762 x 1981 x 35mm	DIE4.660
1-DF7	920x2040mm	125	Howdens Dordogne Oak FD30		838 x 1981 x 44mm	DIF4.170
1-DF8	840x2040mm	160	Howdens Dordogne Oak		762 x 1981 x 35mm	DIE4.660
1-DS1	920x2040mm	100	Howdens Dordogne Oak FD30		838 x 1981 x 44mm	DIF4.170
1-DS2	760x2040mm	100	Howdens Dordogne Oak		686 x 1981 x 35mm	DIE4.640
PLOT 1						
2-DG1	1600x2450mm	485 #	UPVc single doorset with fanlight & sidelights		838 x 1981 x 58mm	
2-DG2	920x2040mm	150	Howdens Dordogne Oak		838 x 1981 x 44mm	DIF4.170
2-DG3	920x2040mm	160	Howdens Dordogne Oak FD30		838 x 1981 x 44mm	DIF4.170
2-DG4	840x2040mm	100	Howdens Dordogne Oak FD30		762 x 1981 x 44mm	DIE4.660
2-DG5	1510x2040mm	150	Howdens Dordogne Oak FD30		2 No. 686 x 1981 x 44mm	DIE4.640
2-DG6	920x2040mm	150	Howdens Dordogne Oak		838 x 1981 x 44mm	DIF4.170
2-DG7	3000x2100mm	350	UPVc french doorset with sidelights	To suit structural opening		
2-DF1	920x2040mm	125	Howdens Dordogne Oak FD30		838 x 1981 x 44mm	DIF4.170
2-DF2	840x2040mm	125	Howdens Dordogne Oak		762 x 1981 x 35mm	DIE4.660
2-DF3	920x2040mm	160	Howdens Dordogne Oak FD30		838 x 1981 x 44mm	DIF4.170
2-DF4	840x2040mm	295 #	Howdens Dordogne Oak		762 x 1981 x 35mm	DIE4.660
2-DF5	840x2040mm	125	Howdens Dordogne Oak		762 x 1981 x 35mm	DIE4.660
2-DF6	920x2040mm	125	Howdens Dordogne Oak FD30		838 x 1981 x 44mm	DIF4.170
2-DF7	920x2040mm	125	Howdens Dordogne Oak FD30		838 x 1981 x 44mm	DIF4.170
2-DF8	840x2040mm	280 #	Howdens Dordogne Oak		762 x 1981 x 35mm	DIE4.660
2-DF9	920x2040mm	125	Howdens Dordogne Oak		838 x 1981 x 44mm	DIE4.670
2-DS1	920x2040mm	125	Howdens Dordogne Oak FD30		838 x 1981 x 44mm	DIF4.170
2-DS2	920x2040mm	125	Howdens Dordogne Oak		838 x 1981 x 44mm	DIE4.670
2-DS3	840x2040mm	150 #	Howdens Dordogne Oak		762 x 1981 x 35mm	DIE4.660

Dimensions to be checked on site.

Door Schedule

External Doors

Specification, details and appearance to be agreed with Client

PVC-U Doorsets

- Manufacturer: Profile 22 Systems or similar approved
- Web: www.profile22.co.uk - Tel: +44 (0)1952 283377
- Address: Stafford Park 6, Telford, Shropshire TF3 3AT
- External Doors: Optima PVC-U residential door system.
- French Doors: Optima PVC-U French doorset, 24mm double glazed units.
- Colour/ Texture: TBC with Client
- Thermal Performance (U-value maximum): 1.2W/m²K.
- Glazing Details: Double glazing to BS 6262 with insulated sealed units to achieve thermal requirements - glazing units to BS EN 1279.
- PAS24 approved and suitable for Secured by Design solutions

1-DG1 - Optima PVC-U door with 24mm double glazed fanlight over.
Door Ref: Full height 4 panel door
Overall size as scheduled, door opening must provide a minimum clear opening of 775mm.
Colour to be confirmed.

1-DG5 - Optima PVC-U door with 24mm double glazed fanlight over.
Door Ref: 2 panel door
Overall size as scheduled.
Colour to be confirmed.

1-DG7 & 2-DG7 - Optima French Doorset with full height glazed doors and 2no glazed side lights with double glazed panels. Doors to have low threshold.
Overall size as scheduled.
Colour to be confirmed.

2-DG1 - Optima PVC-U door with 24mm double glazed sidelights and fanlight over.
Door Ref: Full height 4 panel door
Overall size as scheduled, door opening must provide a minimum clear opening of 775mm.
Colour to be confirmed.

Ironmongery

Doorsets to be fitted with hook bolts at the top and bottom of the door, a central mortice deadlock and security hinges. All doors to have polished chrome hinges and lever furniture.
Front entrance doors to be fitted with polished chrome letter plates.

NOTES:

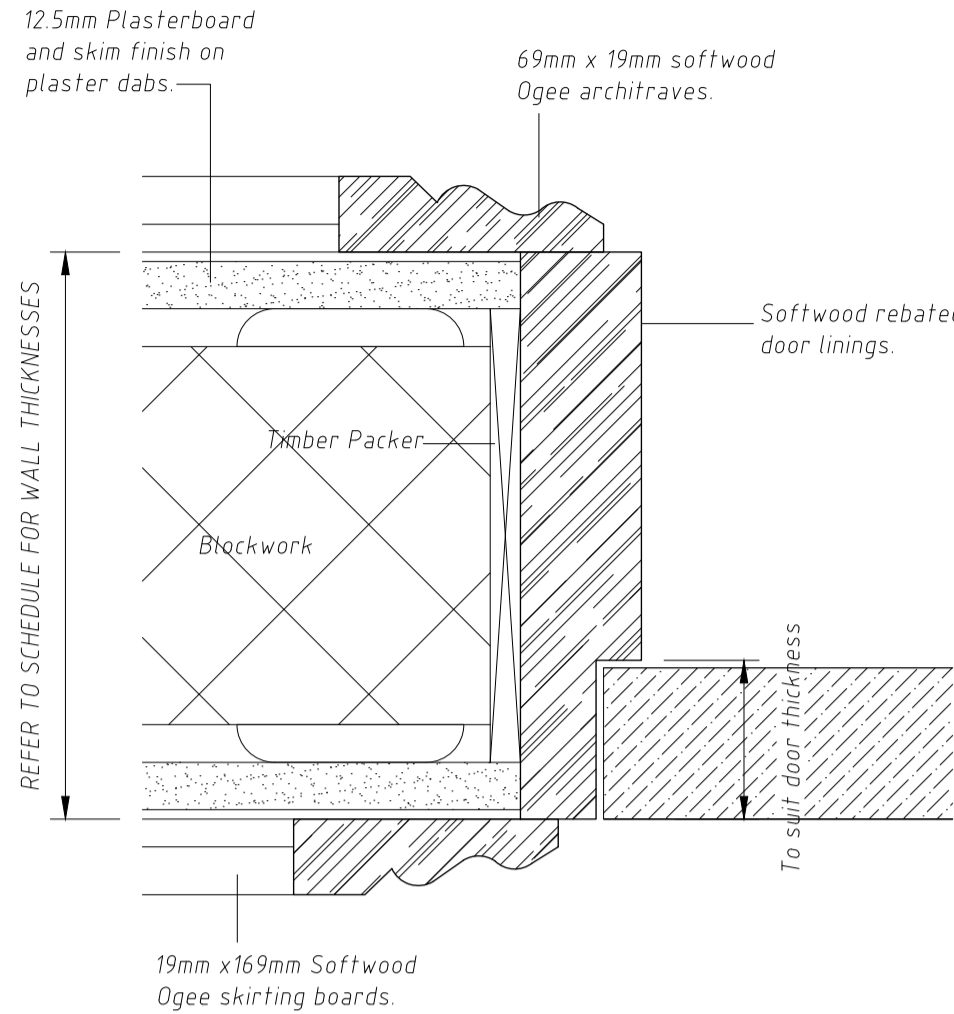
Provide toughened safety or laminated glass to panels with glazing below 800mm from floor level.
Provide proprietary mastic sealant to all external frame/ wall junctions.
No allowance made for floor finish thickness

Internal Doors

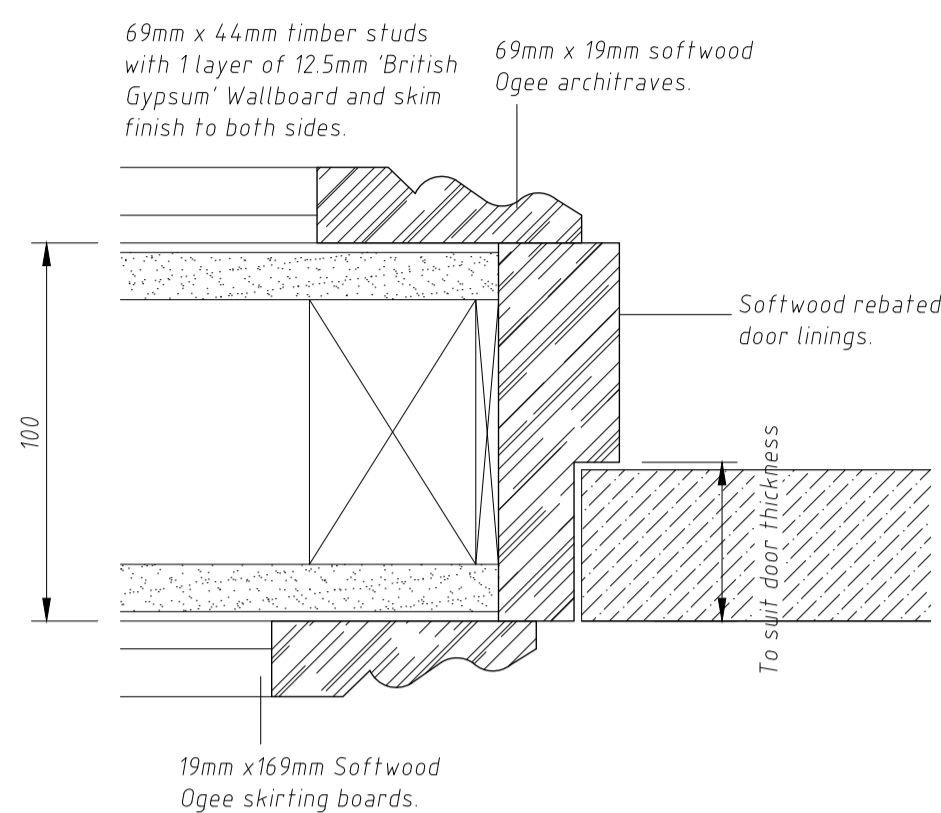
Howdens
Howdens Dordogne doors to receive lacquer/clear varnish finish. Finish to be agreed with client.
Size as scheduled.

Ironmongery - $\frac{1}{2}$ pairs satin stainless steel 100mm graded hinges per door leaf (to suit door weight), 1 pair Howdens Lecco stainless steel rose handles (DFU 0471) per door leaf, 1 no. tubular latch per door leaf. Bathroom, En suite and WC doors to also have Howdens satin stainless steel bathroom turn (DFU0449) and bathroom lock.

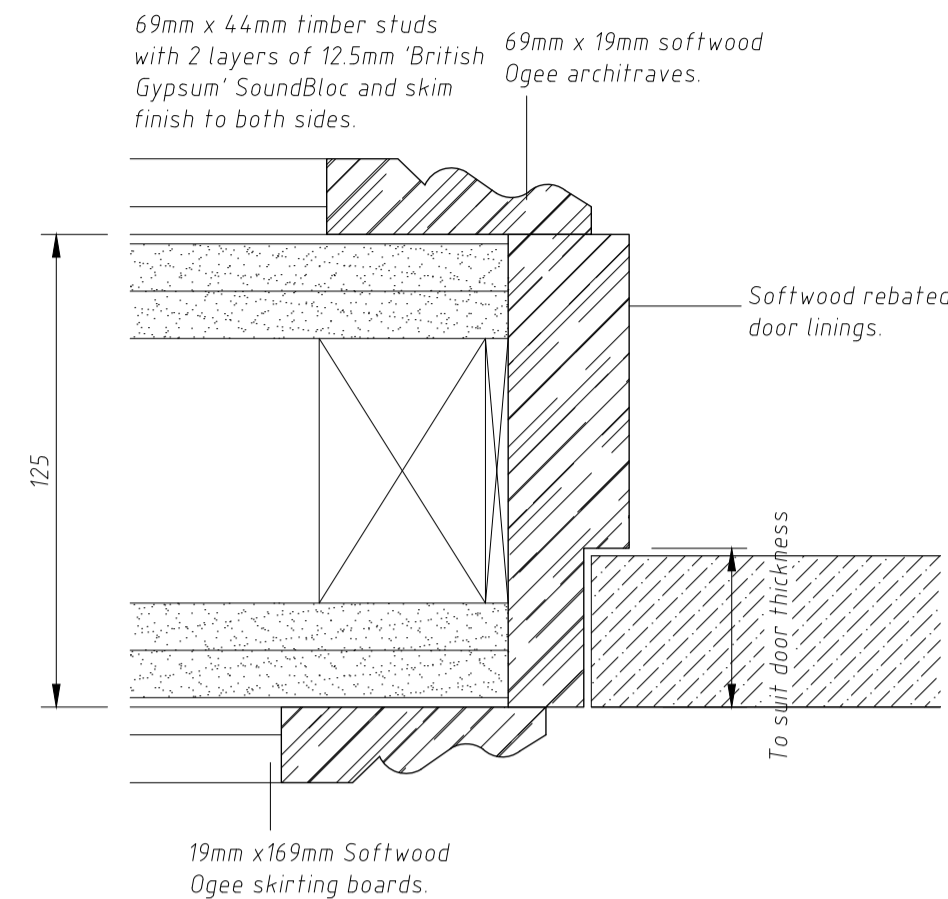
Door linings and architraves - Softwood rebated door linings throughout with 19x69mm softwood ogee architraves. Apply suitable knotting solution to any knots, 1 coat primer, 2 coats Dulux Trade undercoat 1 coat brilliant white Dulux Trade satin/gloss paint.



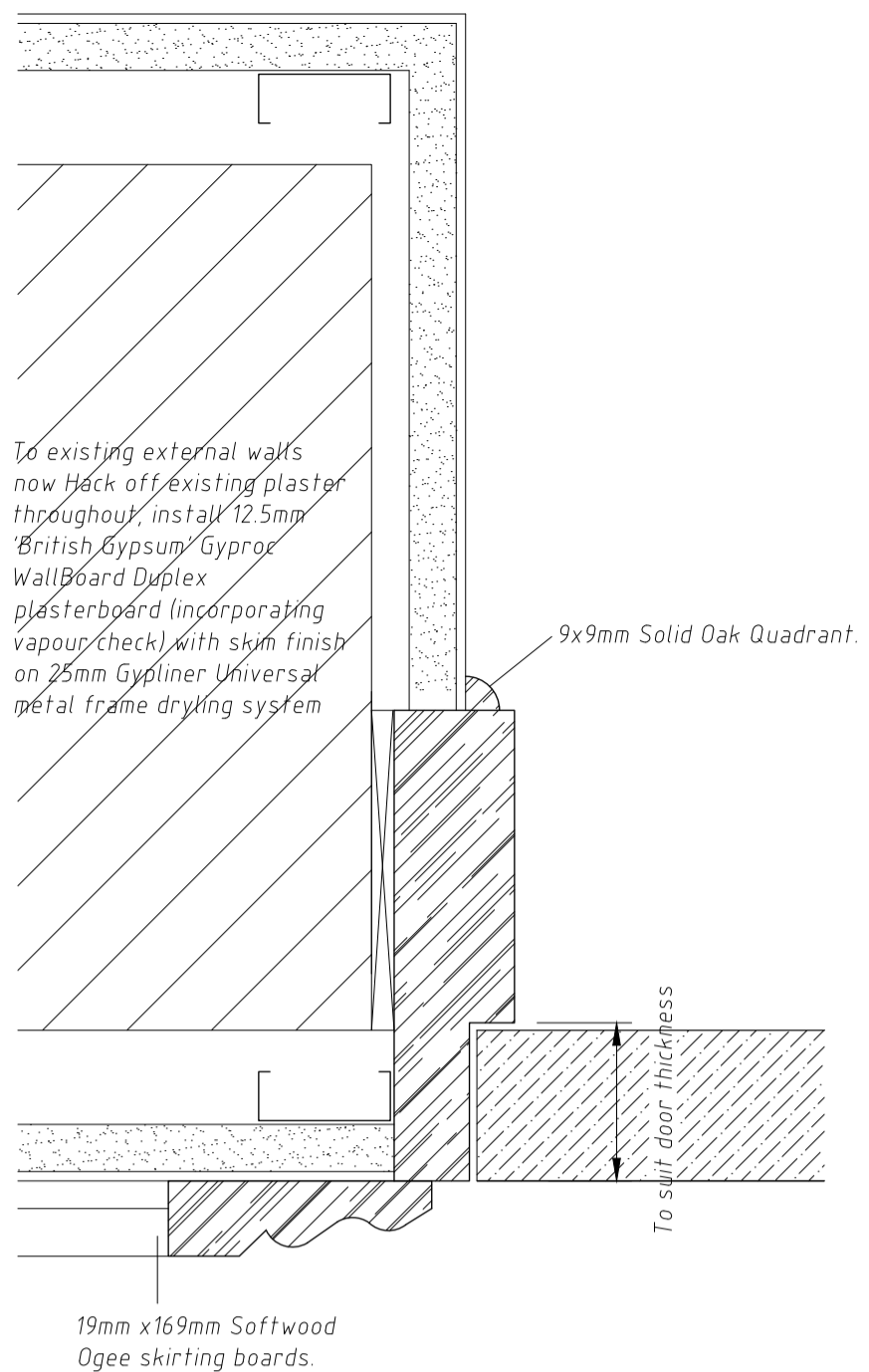
Typical Jamb Detail (Blockwork walls) 1:2



Typical Jamb Detail (100mm Stud wall) 1:2



Typical Jamb Detail (125mm Stud wall) 1:2



Typical Jamb Detail (Existing walls) 1:2

Window Ref.	Structural Opening	Window Type
WG1	630x2400mm #	PVCu Profile 22 Systems
WG2	630x2400mm #	PVCu Profile 22 Systems
WG3	630x2400mm #	PVCu Profile 22 Systems
WG4	630x2400mm #	PVCu Profile 22 Systems
WG5	630x2400mm #	PVCu Profile 22 Systems
WG6	380x2400mm #	PVCu Profile 22 Systems
WG7	620x2400mm #	PVCu Profile 22 Systems
WG8	620x2400mm #	PVCu Profile 22 Systems
WG9	620x2400mm #	PVCu Profile 22 Systems
WG10	380x2400mm #	PVCu Profile 22 Systems
WG11	1025x1165mm #	PVCu Profile 22 Systems
WG12	1220x1060mm #	PVCu Profile 22 Systems
WG13	685x1735mm #	PVCu Profile 22 Systems
WF1	630x1800mm #	PVCu Profile 22 Systems
WF2	630x1800mm #	PVCu Profile 22 Systems
WF3	630x1800mm #	PVCu Profile 22 Systems
WF4	630x1800mm #	PVCu Profile 22 Systems
WF5	630x1800mm #	PVCu Profile 22 Systems
WF6	630x1800mm #	PVCu Profile 22 Systems
WF7	630x1800mm #	PVCu Profile 22 Systems
WF8	630x1800mm #	PVCu Profile 22 Systems
WF9	630x1660mm #	PVCu Profile 22 Systems
WF10	630x1660mm #	PVCu Profile 22 Systems
WF11	610x1370mm #	PVCu Profile 22 Systems
WF12	610x1370mm #	PVCu Profile 22 Systems
WF13	610x1370mm #	PVCu Profile 22 Systems
WF14	610x1370mm #	PVCu Profile 22 Systems
WF15	685x1800mm #	PVCu Profile 22 Systems
WF16	685x1800mm #	PVCu Profile 22 Systems
WF17	670x1000mm #	PVCu Profile 22 Systems
WF18	530x1765mm #	PVCu Profile 22 Systems
WS1	300x850mm #	PVCu Profile 22 Systems
WS2	685x1125mm #	PVCu Profile 22 Systems
WS3	685x1125mm #	PVCu Profile 22 Systems

Dimensions to be checked on site.

Window Schedule

WINDOWS:
Specification, details and appearance to be agreed with Client
Windows to be 'Sash' type as indicated on elevations.

PVC-U WINDOWS

- Manufacturer: Profile 22 Systems or similar approved
- Web: www.profile22.co.uk - Tel: +44 (0)1952 283377
- Address: Stafford Park 6, Telford, Shropshire TF3 3AT
- Window Product Reference: Heritage Collection - Top Hung Casement/Sash or Sliding Sash TBC with Client.
- Colour/ Texture: White RAL 9010
- Thermal Performance (U-value maximum): 1.4 W/m²K.
- Glazing Details: Double glazing to BS 6262 with insulated sealed units to achieve thermal requirements - glazing units to BS EN 1279.
- Beading: Post co-extruded internal glazing beads.

Ground floor window fasteners to be Secure By Design in polished chrome and first floor windows to be standard fasteners also in polished chrome. Provide polished chrome window lifts to all windows.

Windows to En suites to be Obscure Glazed. Pattern TBC

Provide proprietary mastic sealant to all external frame/ wall junctions.

Trickle vents to all heads of frames to provide background ventilation and achieve a combined certified equivalent area of 121,000sqmm to Plot1 and 156,000sqmm to Plot 2.

Window boards to be 25mm thick MDF. Apply 2 coats Dulux Trade undercoat 1 coat brilliant white Dulux Trade satin/gloss paint.

NB Text written in blue is text that has changed or been updated from the original tender drawings

ROOF WINDOWS

Plot 1
Dining Room

'Velux' Integra centre-pivot Electric Roof Windows 2no. 780x1180mm
MK06 GPU 006021U. Include for the Integra touch screen control pad in location to be agreed with client, Coupled flashing kit ref: EKL 0021E, Insulation Collar ref: BDx201E, Underfelt Collar ref: BFX1000, Vapour Barrier ref: BBX0000 and Lining kit ref: LSG1000.

Master Bedroom En Suite

'Velux' top hung roof windows 550x780mm CK02 GPU 0060. Include for Flashing kit ref: EDP 0000, Insulation Collar ref: BDx2000, Underfelt Collar ref: BFX1000, Vapour Barrier ref: BBX0000 and Lining kit ref: LSG1000.

Plot 2

En Suite

'Velux' top hung roof windows 2no. 550x980mm CK04 GPU 0060. Coupled flashing kit ref: EKL 0021E, Insulation Collar ref: BDx201E, Underfelt Collar ref: BFX1000, Vapour Barrier ref: BBX0000 and Lining kit ref: LSG1000.

Over Stairs/ Landing

MK06 GPU 006021U. Include for the Integra touch screen control pad in location to be agreed with client, Coupled flashing kit ref: EKL 0000, Insulation Collar ref: BDx2000, Underfelt Collar ref: BFX1000, Vapour Barrier ref: BBX0000 and Lining kit ref: LSG1000.

rev.	date	drawn	chkd

1:50@A1

May 2020

PF GSA

19-1756/360

Proposed Residential Development
106 Vivian Road
Harborne
Birmingham

Door and window schedules

This drawing and the building works depicted are the copyright of the Architects and may not be reproduced except by written permission. This drawing must be read and checked against any specialist drawings and information provided. Do not scale prints. Figured dimensions only to be taken from this drawing.

Tel: 0121 550 0359

e-mail: postmaster@gould-singleton.co.uk

Gould Singleton Architects
Earls Way, Halesowen, West Midlands, B63 3HR