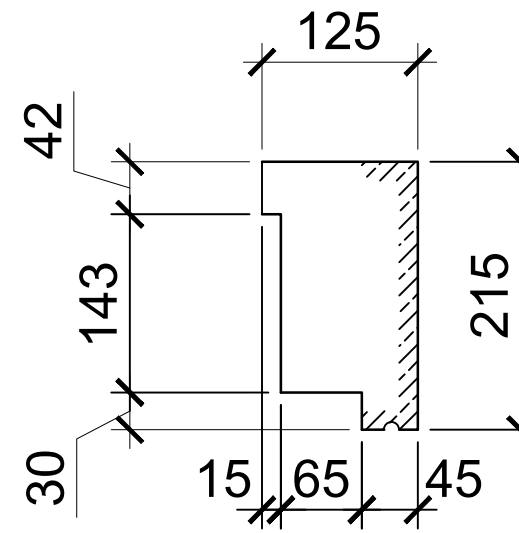
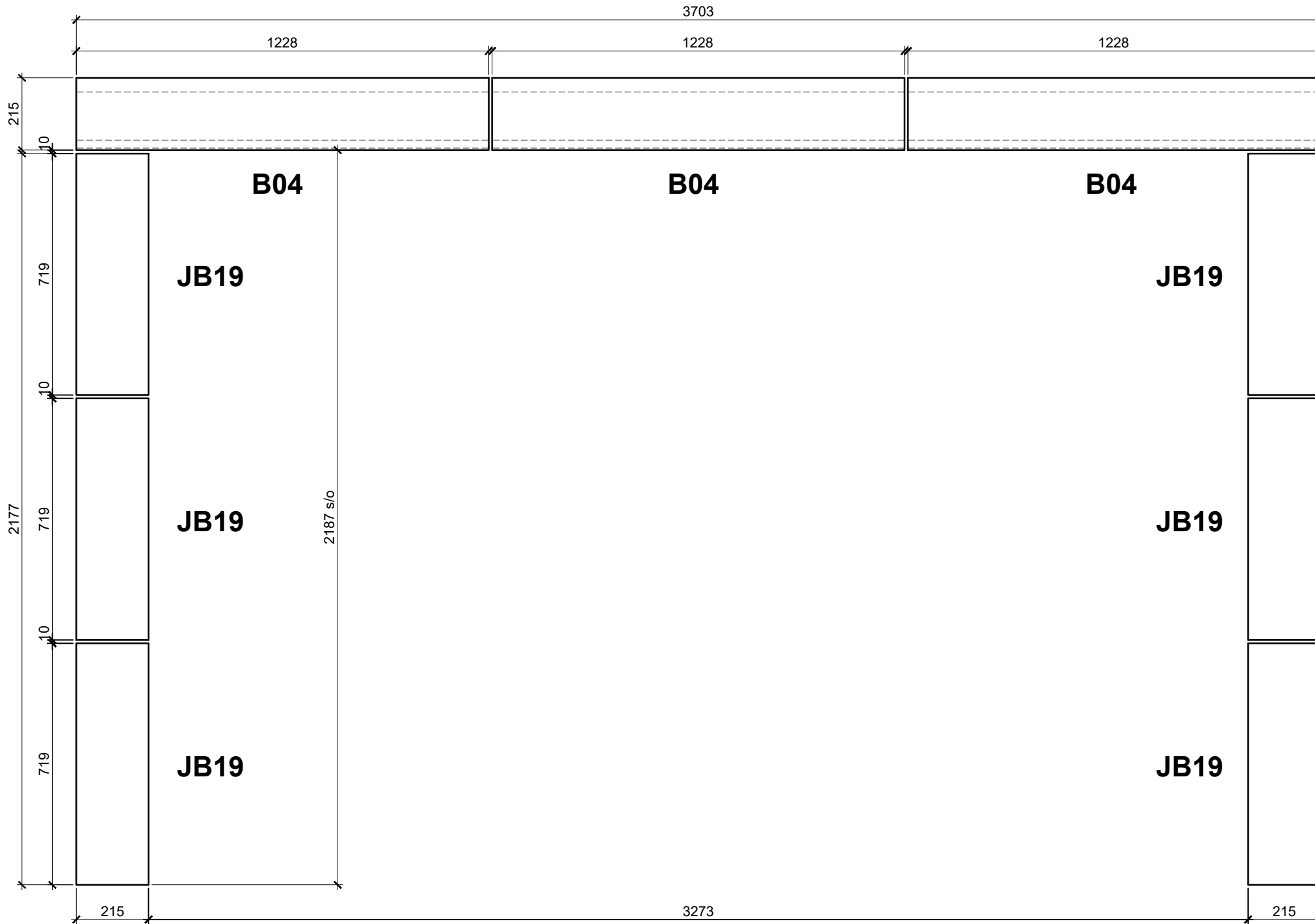


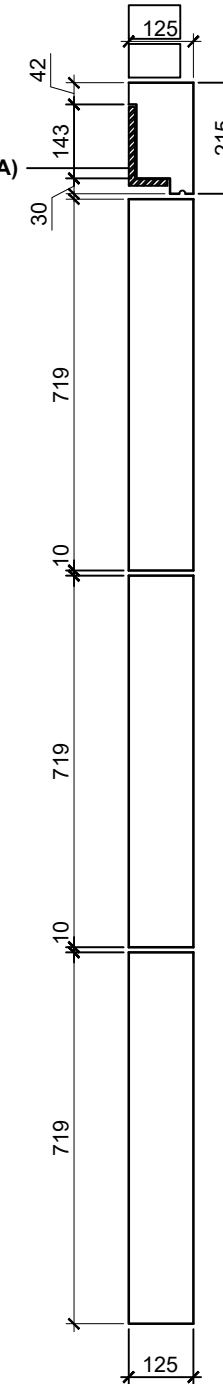
Window Surround G.A. (EDF01)



Section.



Head requires support below
(150x75x12 RSA)



Section.

- Notes**
1. All stone cast to BS1217: 2008 and the UKCSA Specification For Cast Stone.
 2. Minimum 35MPa compressive strength (when tested to BS1881: part 116).
 3. All details shown on this drawing are copyright protected and must not be copied or conveyed to any third party without express written consent.
 4. Lifting inserts and other fixings only included where specified.

Rev	Date	Comments
A	20-07-21	Rebate amended & drip added.
B	09-08-21	Overall jamb height reduced.

Tel : 01302 729277
Fax : 01302 729288
www.penninestone.co.uk

PENNINE
STONE LIMITED

A HADDONSTONE Group Company

Site Details
THAMES & NEWCASTLE LTD.
16 Roehampton Gate, London.

Drg Title
Bespoke Surround to EDF01.
Product: TecCast.

Date: 15/06/21	Drg No.
Scale: NTS	25068-17
Drawn By: M. Brakewell	Rev. B